

PRORIL

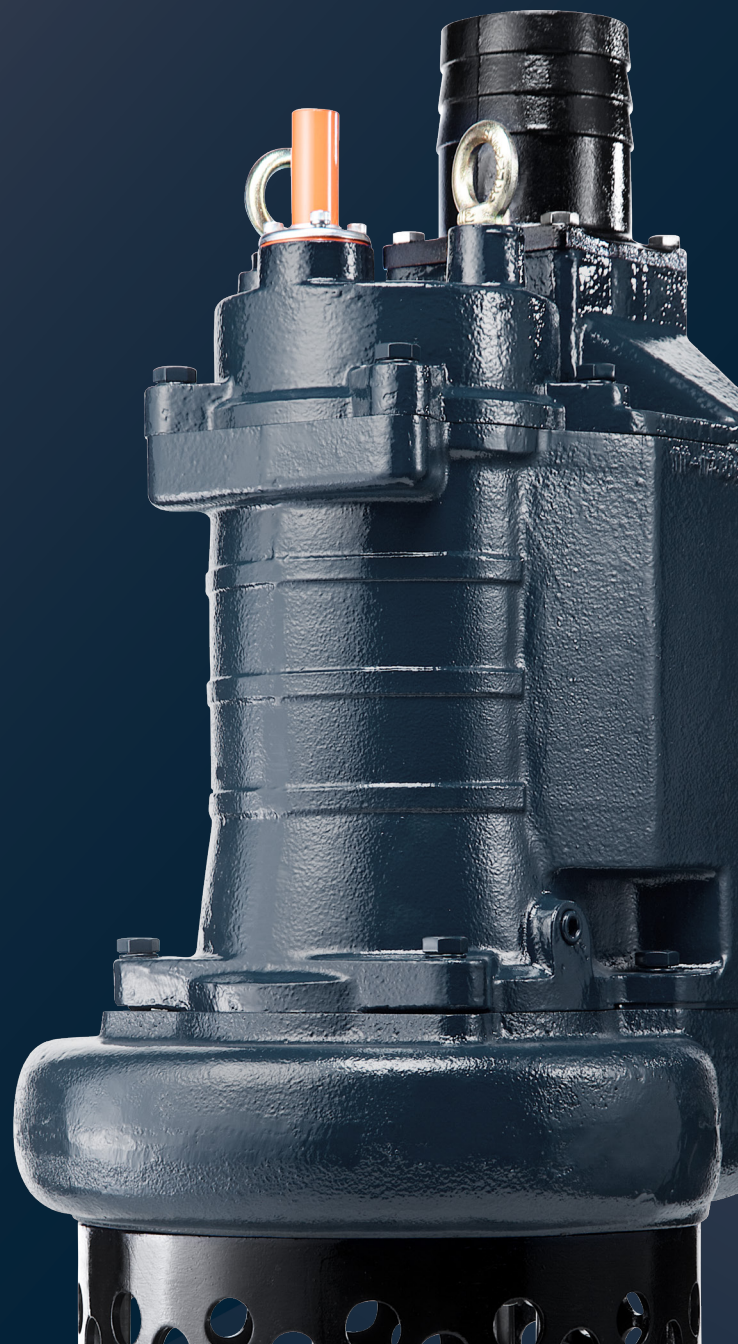
60Hz

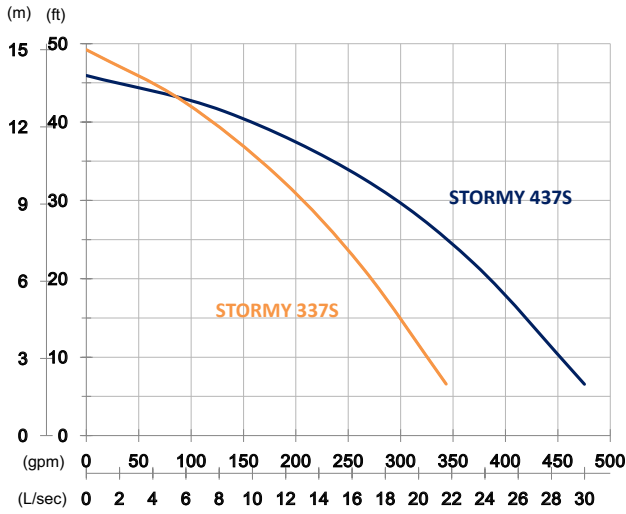
Serving a wide range of slurry transport applications, STORMY-S series pumps are designed for long wear life, low energy consumption, excellent performance, and easy maintenance. With patented ACrS Tech and rugged construction, these abrasion and corrosion resistant slurry pumps provide economical solutions for challenging slurry transportation.

Slurry and Sand Pump

STORMY 337S/437S

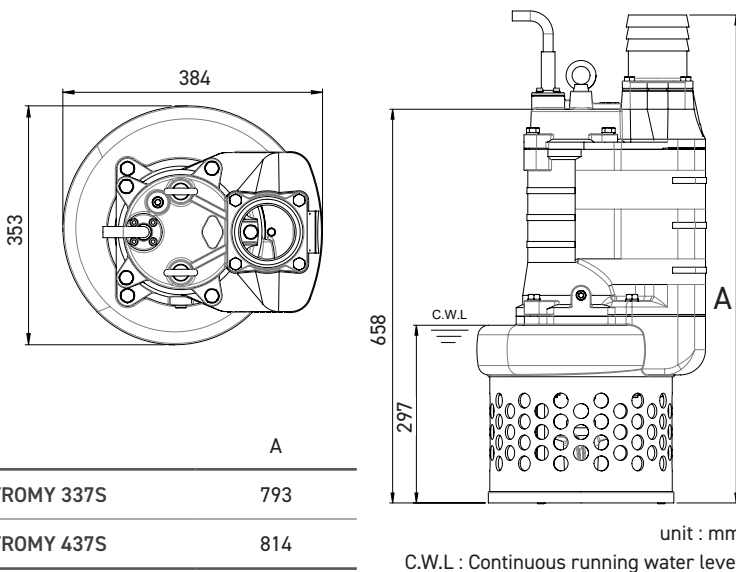
Strainer and Agitator Pump





	STORMY 337S	STORMY 437S
OUTPUT	5 HP (3.7 kW)	5 HP (3.7 kW)
OUTLET	3" (80 mm)	4" (100 mm)
SOLID PASSAGE	1" (25 mm)	1" (25 mm)
Weight	254 lbs/115 kg	254 lbs/115 kg
HEAD	Rated: 33 ft, 10 m Max: 49 ft, 15 m	Rated: 33 ft, 10 m Max: 46 ft, 14 m
FLOW	Rated: 185 gpm, 11.7 L/s Max: 343 gpm, 21.7 L/s	Rated: 264 gpm, 16.7 L/s Max: 476 gpm, 30 L/s

Pump Type		Electric Submersible Pumps
Motor	Phase	3-Phase
	Type	Induction Motor
	Poles	4 Pole (1750 rpm)
	Insulation	Class F
	Protector	Circle Thermal Protector
Starter		D.O.L.
Lubricant		Food Grade (ISO VG32)
Specs.	Impeller Type	Opened
	Shaft Seal	Double Mechanical Seal
		Silicon Carbide VS Ceramic/Carbon
	Bearings	C3 Shielded ball bearings
Cable	CSA-Certified PVC Jacketed Cables	
	33 ft (10 m) or longer upon request	
Materials	Pump Casing	Ductile Iron
	Impeller	Chromium Iron
	Motor Frame	Gray Iron
	Motor Shaft	Stainless Steel
	Wear Plate	Chromium Iron
	Agitator	Chromium Iron
Strainer		Carbon Steel
Max. Liquid Temperature		40°C (104°F)
Max. Submersion Depth		20 m (66 ft)
pH Range		pH 5 - pH 8



	A
STORMY 337S	793
STORMY 437S	814

unit : mm
C.W.L : Continuous running water level